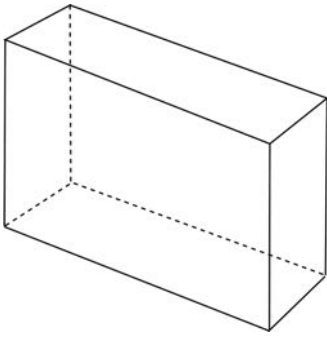


Name: _____

2-Dimensional and 3-Dimensional Shapes

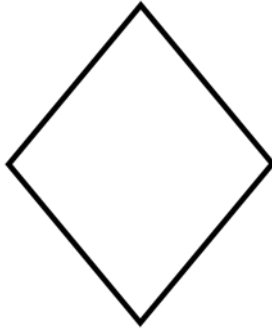
Directions: Fill in the correct bubble to choose 2-Dimensional or 3-Dimensional for each shape.

1.



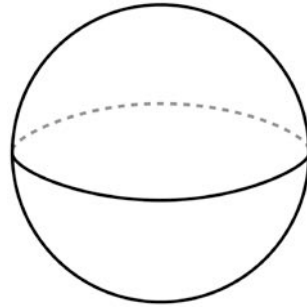
- 2-Dimensional
 3-Dimensional

2.



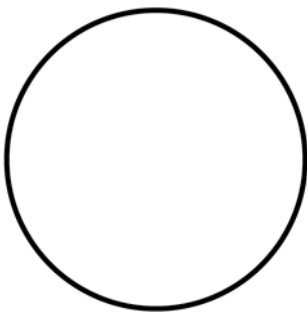
- 2-Dimensional
 3-Dimensional

3.



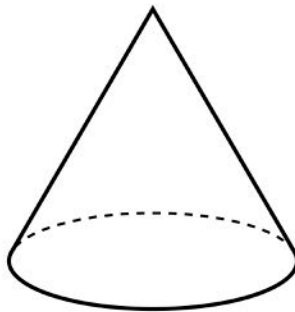
- 2-Dimensional
 3-Dimensional

4.



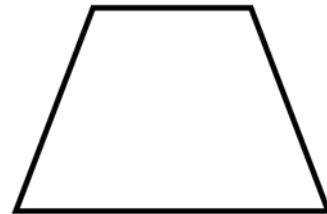
- 2-Dimensional
 3-Dimensional

5.



- 2-Dimensional
 3-Dimensional

6.



- 2-Dimensional
 3-Dimensional

2-Dimensional and 3-Dimensional Shapes

Answer Key

1. 3-Dimensional
2. 2-Dimensional
3. 3-Dimensional
4. 2-Dimensional
5. 3-Dimensional
6. 2-Dimensional